

# KOHLER®

## Whitehaven® Self-Trimming® Under-Mount Apron Front Sink K-6427



### Features:

- Fits minimum 36-inch apron sink base cabinet.
- Large/medium bowls.
- 9" (229 mm) depth provides generous workspace.
- Self-Trimming apron overlaps the cabinet face for easy installation and beautiful results.
- No faucet holes.
- Smart Divide® features a low dividing barrier that increases workspace and versatility.
- Basin slopes toward drain to minimize water pooling.
- Offset drain increases workspace in the sink and storage space underneath.
- Includes cutout templates.

### Material:

- KOHLER® enameled cast iron.

### Installation:

- Under-mount farmhouse.

### Recommended Products/Accessories

- K-5828 Sink Rack
- K-5874 Sink Rack
- K-23725 Cast iron cleaner

### Available Finishes:

0 - White



### Codes/Standards:

ASME A112.19.1/CSA B45.2

### KOHLER® Enameled Cast Iron Kitchen Sink Lifetime Limited Warranty

See website for detailed warranty information.



Pacific Northwest  
9805 32nd Ave. S  
Lakewood, WA  
98499

Northern & Central California  
1905 N. MacArthur Dr. Suite #300  
Tracy, CA  
95376

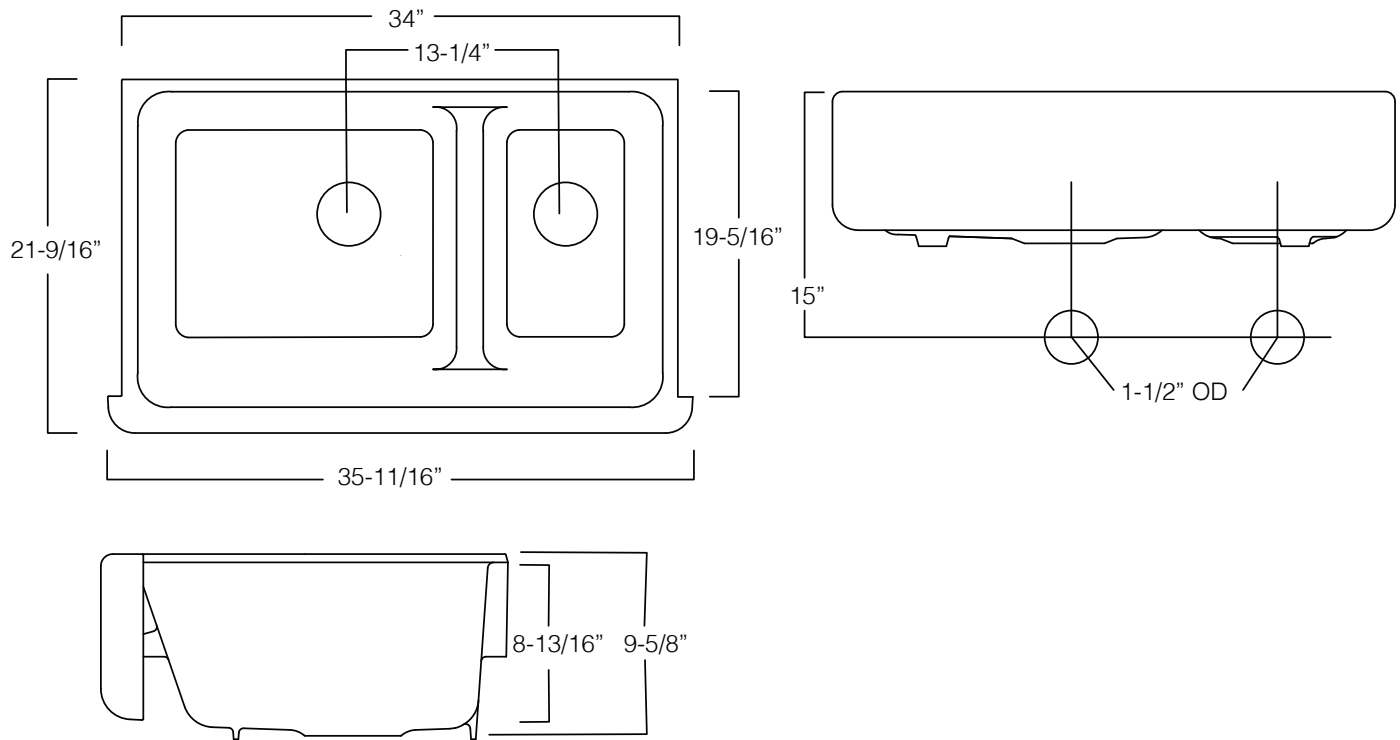
Southern California  
3351 Grapevine St. Suite #A  
Mira Loma, CA  
91752

For more information, visit us at [www.4willis.com](http://www.4willis.com) or e-mail us at [info@4willis.com](mailto:info@4willis.com).

**1-800-4KOHLER (1-800-456-4537)** Kohler Co. reserves the right to make revisions without notice to product specifications.  
For the most current Specification Sheet, go to [www.kohler.com](http://www.kohler.com). CA-Willis

# KOHLER®

## Whitehaven® Self-Trimming® Under-Mount Apron Front Sink K-6427



### Technical Information:

Bowl configuration: Off-set Large/small	Right Bowl area:	Left Bowl area:
Installation: Under-mount	Length: 18-13/16"	Length: 10-5/16"
Min. Base Cabinet Width: 36"	Width: 18-1/16"	Width: 18-1/16"
Water depth: 9"	Bowl depth: 9"	Bowl depth: 9"

### Notes:

Install this product according to the installation instructions. Countertop manufacturer or cutter must use the cut-out template provided with the product, or a current one provided by Kohler Co. (call 1-800-43-FOCUS). Kohler Co. is not responsible for cut-out errors when the incorrect cut-out template is used.



Pacific Northwest  
9805 32nd Ave. S  
Lakewood, WA  
98499

Northern & Central California  
1905 N. MacArthur Dr. Suite #300  
Tracy, CA  
95376

Southern California  
3351 Grapevine St. Suite #A  
Mira Loma, CA  
91752

For more information, visit us at [www.4willis.com](http://www.4willis.com) or e-mail us at [info@4willis.com](mailto:info@4willis.com).

**1-800-4KOHLER (1-800-456-4537)** Kohler Co. reserves the right to make revisions without notice to product specifications.  
For the most current Specification Sheet, go to [www.kohler.com](http://www.kohler.com). CA-Willis