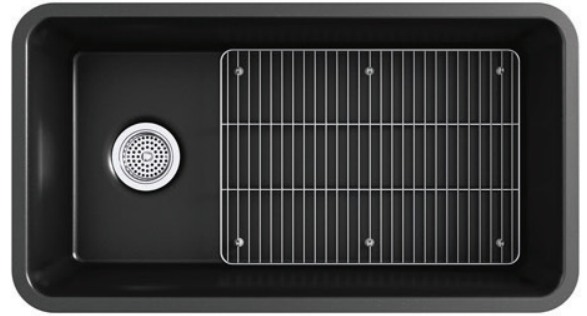


# KOHLER®

## Cairn®

### Under-Mount Kitchen Sink

#### K-8206



#### Features:

- 36-inch minimum base cabinet.
- Single bowl.
- 9-1/2-inch depth provides generous workspace.
- No faucet holes.
- Offset drain increases workspace in the sink and storage space underneath.
- Includes K-5196 bottom sink rack.
- Includes cutout templates and installation clips.

#### Material:

- KOHLER Neoroc® composite is durable and built to withstand day-to-day cleaning tasks.
- Matte finish offers rich, dimensional color.
- Solid color throughout the sink.
- Heat resistant up to 750°F.
- Scratch, stain, chip, and thermal-shock resistant.

#### Installation:

- Undermount.
- Easy to install in a one-person, single-day project.

#### Recommended Products/Accessories

- K-23730 Neoroc® cleaner

#### Available Finishes:

- CM1 - Matte Black
- CM4 - Matte Grey
- CM6 - Matte White



#### Included Components

- K-5196 Sink Rack (1)



#### Codes/Standards:

CSA B45.5/IAPMO Z124

#### KOHLER® Neoroc® Sinks

#### Lifetime Limited Warranty:

See website for detailed warranty information.



Pacific Northwest  
9805 32nd Ave. S  
Lakewood, WA  
98499

Northern & Central California  
1905 N. MacArthur Dr. Suite #300  
Tracy, CA  
95376

Southern California  
3351 Grapevine St. Suite #A  
Mira Loma, CA  
91752

For more information, visit us at [www.4willis.com](http://www.4willis.com) or e-mail us at [info@4willis.com](mailto:info@4willis.com).

**1-800-4KOHLER (1-800-456-4537)** Kohler Co. reserves the right to make revisions without notice to product specifications.

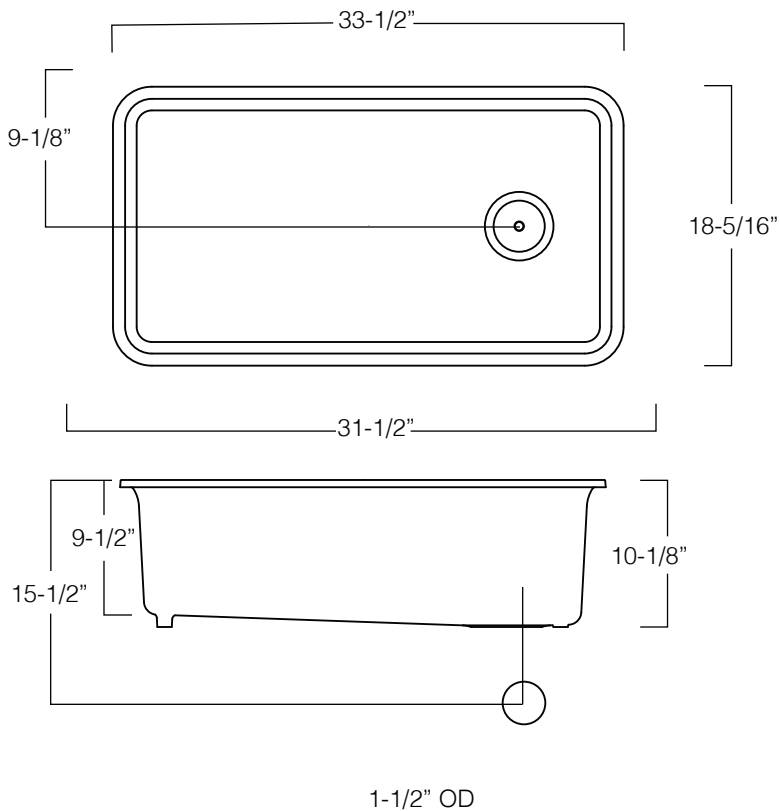
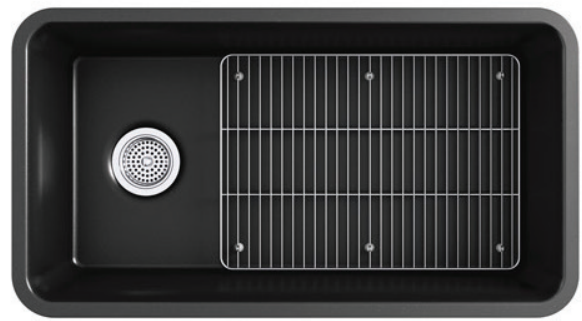
For the most current Specification Sheet, go to [www.kohler.com](http://www.kohler.com).

# KOHLER®

## Cairn®

### Under-Mount Kitchen Sink

#### K-8206



#### Technical Information:

**Bowl Configuration:** Single  
**Installation:** Under-mount  
**Min. base cabinet width:** 36"  
**Drain hole:** 3-7/8"  
**Bowl area (Only):** Length: 30-9/16"  
Width: 15-3/8"  
Bowl depth: 9-1/2"  
Water depth: 9-1/2"  
**Template:** 1256394-7, required, included

#### Notes:

Install this product according to the installation instructions.

Countertop manufacturer or cutter must use the cut-out template provided with the product, or a current one provided by Kohler Co. (call 1-800-43-FOCUS). Kohler Co. is not responsible for cut-out errors when the incorrect cut-out template is used.



Pacific Northwest  
9805 32nd Ave. S  
Lakewood, WA  
98499

Northern & Central California  
1905 N. MacArthur Dr. Suite #300  
Tracy, CA  
95376

Southern California  
3351 Grapevine St. Suite #A  
Mira Loma, CA  
91752

For more information, visit us at [www.4willis.com](http://www.4willis.com) or e-mail us at [info@4willis.com](mailto:info@4willis.com).

**1-800-4KOHLER (1-800-456-4537)** Kohler Co. reserves the right to make revisions without notice to product specifications.  
For the most current Specification Sheet, go to [www.kohler.com](http://www.kohler.com).