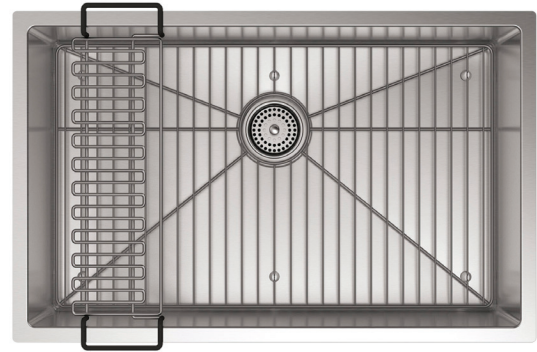


# KOHLER®

## Strive®

### Under-Mount Kitchen Sink K-5409



#### Features:

- Single bowl
- Rounded 10mm corners are easy to clean.
- 9" depth provides generous workspace.
- Rear drain increases workspace in the sink and allows for more storage space underneath the sink.
- SilentShield® sound-absorption technology offers quieter performance.
- Includes a sink bridge utility shelf with dishcloth bar and a bottom sink rack.

#### Material:

- Handcrafted from premium 16-gauge stainless steel.
- Stainless steel finish.

#### Installation:

- Undermount.
- Includes installation hardware.
- No faucet holes; requires wall- or counter-mount faucet.

#### Recommended Products/Accessories

- K-23729 Stainless steel cleaner

#### Included Components

- K-6429 Utility Rack
- K-5408 Sink Rack



#### Codes/Standards:

ASME A112.19.3/CSA B45.4

#### Lifetime Limited Warranty for Kohler® Stainless Steel Sinks

See website for detailed warranty information.



Pacific Northwest  
9805 32nd Ave. S  
Lakewood, WA  
98499

Northern & Central California  
1905 N. MacArthur Dr. Suite #300  
Tracy, CA  
95376

Southern California  
3351 Grapevine St. Suite #A  
Mira Loma, CA  
91752

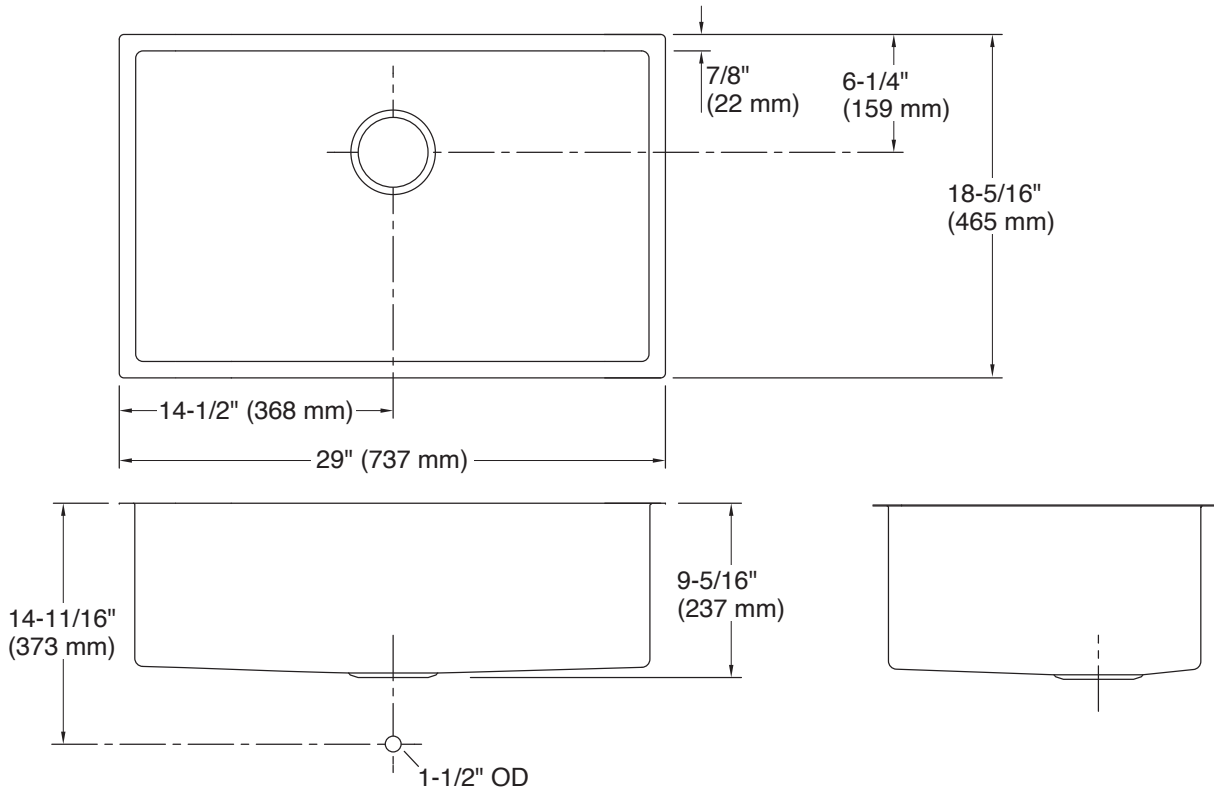
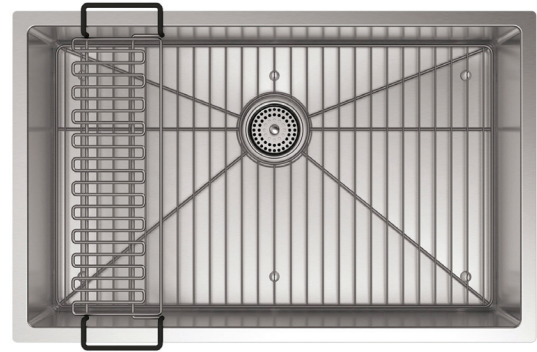
For more information, visit us at [www.4willis.com](http://www.4willis.com) or e-mail us at [info@4willis.com](mailto:info@4willis.com).

**1-800-4KOHLER (1-800-456-4537)** Kohler Co. reserves the right to make revisions without notice to product specifications.  
For the most current Specification Sheet, go to [www.kohler.com](http://www.kohler.com). CA-Willis

# KOHLER®

## Strive®

Under-Mount Kitchen Sink  
K-5409



### Technical Information:

Bowl Configuration: Single  
Installation: Under-mount  
Min. base cabinet: 33"  
Template: 1220866-7,  
required, included

Bowl area:  
Length: 27-1/4"  
Width: 16-9/16"  
Bowl depth: 9"  
Water depth: 9"

### Notes:

Install this product according to the installation instructions. Countertop manufacturer or cutter must use the cut-out template provided with the product, or a current one provided by Kohler Co. (Call 1-800-43-FOCUS).

Kohler Co. is not responsible for cut-out errors when the incorrect cut-out template is used



Pacific Northwest  
9805 32nd Ave. S  
Lakewood, WA  
98499

Northern & Central California  
1905 N. MacArthur Dr. Suite #300  
Tracy, CA  
95376

Southern California  
3351 Grapevine St. Suite #A  
Mira Loma, CA  
91752

For more information, visit us at [www.4willis.com](http://www.4willis.com) or e-mail us at [info@4willis.com](mailto:info@4willis.com).

**1-800-4KOHLER (1-800-456-4537)** Kohler Co. reserves the right to make revisions without notice to product specifications.  
For the most current Specification Sheet, go to [www.kohler.com](http://www.kohler.com). CA-Willis