

KOHLER®

Cairn® Under-Mount Kitchen Sink K-8199



Features:

- 36-inch minimum base cabinet.
- Double-equal bowls.
- 9-1/2-inch depth provides generous workspace.
- Slim divide creates more space while allowing you to completely submerge pots and pans.
- No faucet holes.
- Rear drains increase workspace in the sink and storage space underneath.
- Includes K-5656 bottom sink rack.
- Includes cutout templates and installation clips.

Material:

- KOHLER Neoroc® composite is durable and built to withstand day-to-day cleaning tasks.
- Matte finish offers rich, dimensional color.
- Solid color throughout the sink.
- Heat resistant up to 750°F.
- Scratch, stain, chip, and thermal-shock resistant.

Installation:

- Undermount.
- Easy to install in a one-person, single-day project.

Recommended Products/Accessories

- K-23730 Neoroc® cleaner

Available Finishes:

- CM1 - Matte Black
- CM4 - Matte Grey
- CM6 - Matte White



Included Components

- K-5656 Sink Rack (1)



Codes/Standards:

CSA B45.5/IAPMO Z124

KOHLER® Neoroc® Sinks

Lifetime Limited Warranty:

See website for detailed warranty information.



Pacific Northwest
9805 32nd Ave. S
Lakewood, WA
98499

Northern & Central California
1905 N. MacArthur Dr. Suite #300
Tracy, CA
95376

Southern California
3351 Grapevine St. Suite #A
Mira Loma, CA
91752

For more information, visit us at www.4willis.com or e-mail us at info@4willis.com.

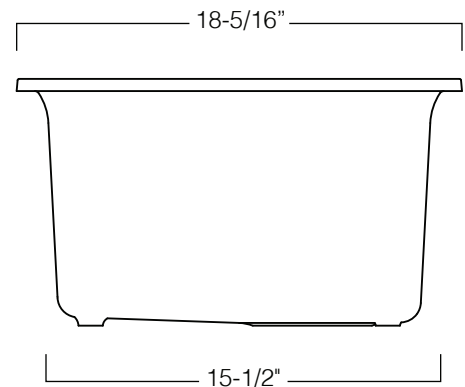
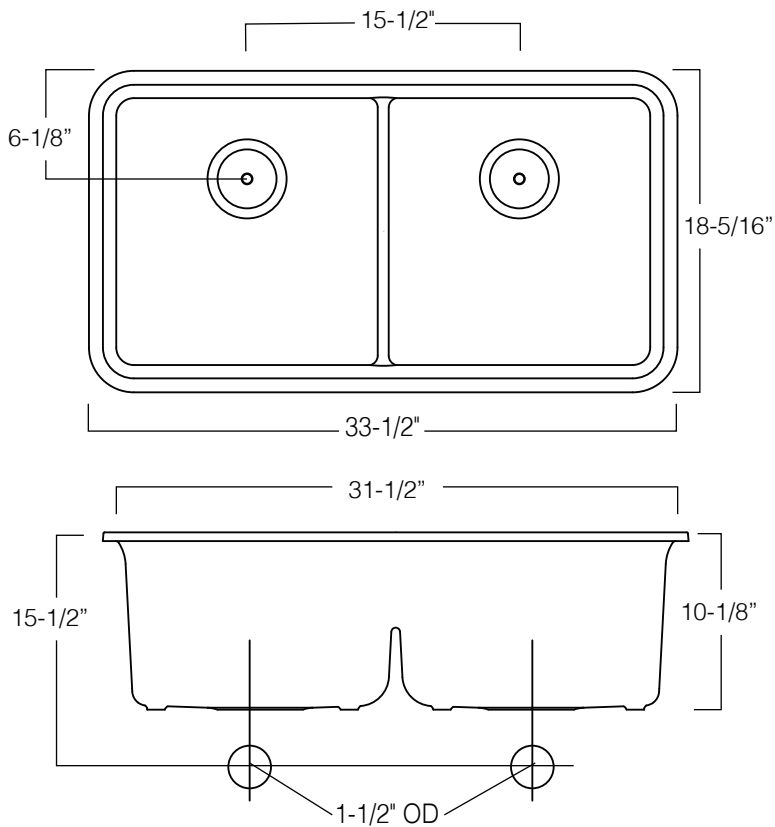
1-800-4KOHLER (1-800-456-4537) Kohler Co. reserves the right to make revisions without notice to product specifications.
For the most current Specification Sheet, go to www.kohler.com.

KOHLER®

Cairn®

Under-Mount Kitchen Sink

K-8199



Technical Information:

Bowl Configuration: Double-Equal

Installation: Under-mount

Min. base cabinet width: 36"

Bowl areas (Only): Length: 14-7/8"

Width: 15-3/16"

Bowl depth: 9-1/2"

Water depth: 9-1/2"

Template: 1256394-7, required, included

Notes:

Install this product according to the installation instructions.

Countertop manufacturer or cutter must use the cut-out template provided with the product, or a current one provided by Kohler Co. (call 1-800-43-FOCUS). Kohler Co. is not responsible for cut-out errors when the incorrect cut-out template is used.



Pacific Northwest
9805 32nd Ave. S
Lakewood, WA
98499

Northern & Central California
1905 N. MacArthur Dr. Suite #300
Tracy, CA
95376

Southern California
3351 Grapevine St. Suite #A
Mira Loma, CA
91752

For more information, visit us at www.4willis.com or e-mail us at info@4willis.com.

1-800-4KOHLER (1-800-456-4537) Kohler Co. reserves the right to make revisions without notice to product specifications.

For the most current Specification Sheet, go to www.kohler.com.