

KOHLER®

Prolific®

Under-Mount Kitchen Sink

K-23651



Features:

- Large single bowl.
- 10-inch depth provides generous workspace.
- No faucet holes.
- Includes bamboo cutting board, two multipurpose grated racks, colander, and wash bin.
- Three graduated ledges in basin allow you to place accessories at your preferred height.
- Accessories stack and slide on ledges for a custom arrangement.
- Medium size cutting board (10"x16") included with sink - covers 1/3 of sink.
- Also available: Large size cutting board 21"x16" – covers 2/3 sink. (Sold separately # K-23680-NA)
- Beveled cone-shape basin slopes into drain, easily disposing debris.
- Includes installation hardware.

Material:

- Premium 18-gauge stainless steel.

Installation:

- Undermount.
- Minimum base cabinet width: 30"-33"
(30" may require cabinet modifications).

Recommended Products/Accessories

- K-23729 Stainless steel cleaner

Included Components

- A. K-5544 Colander and Washbin
- B. K-5542 Multipurpose Grated Rack (2)
- C. K-5541 Bamboo Cutting Board



Codes/Standards:

ASME A112.19.3/CSA B45.4

Lifetime Limited Warranty for KOHLER® Stainless Steel Sinks

See website for detailed warranty information.



Pacific Northwest
9805 32nd Ave. S
Lakewood, WA
98499

Northern & Central California
1905 N. MacArthur Dr. Suite #300
Tracy, CA
95376

Southern California
3351 Grapevine St. Suite #A
Mira Loma, CA
91752

For more information, visit us at www.4willis.com or e-mail us at info@4willis.com.

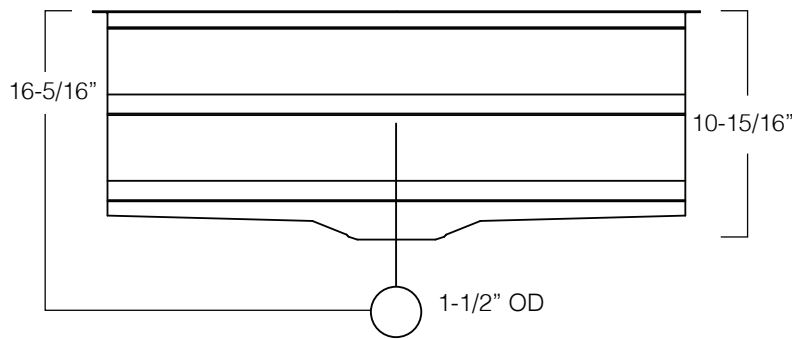
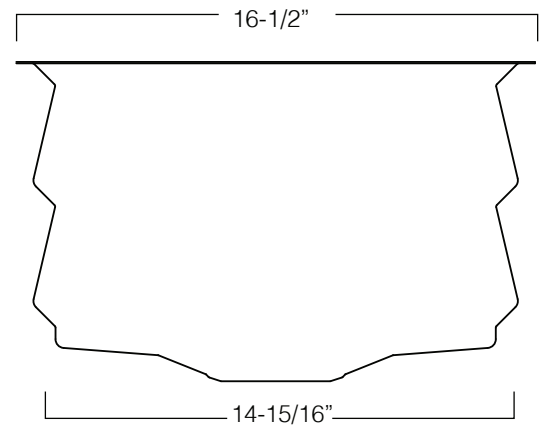
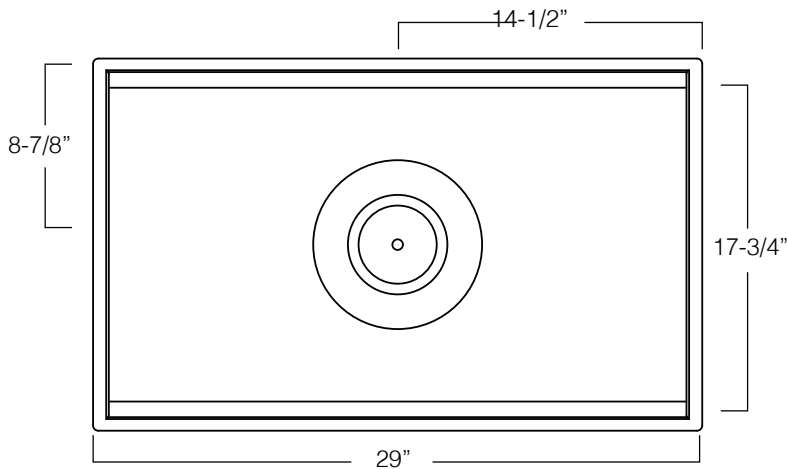
1-800-4KOHLER (1-800-456-4537) Kohler Co. reserves the right to make revisions without notice to product specifications.
For the most current Specification Sheet, go to www.kohler.com. CA-Willis

KOHLER®

Prolific®

Under-Mount Kitchen Sink

K-23651



Technical Information:

Bowl Configuration: Single

Installation: Under-mount

Min. base cabinet width: 33"

Bowl area (Only): Length: 27-1/2"

Width: 14-15/16"

Bowl depth: 10"

Water depth: 10"

Drain Hole: 3-3/4"

Template: 1311446-7, required, included

Notes:

Install this product according to the installation instructions.

Countertop manufacturer or cutter must use the cut-out template provided with the product, or a current one provided by Kohler Co. (call 1-800-43-FOCUS). Kohler Co. is not responsible for cut-out errors when the incorrect cut-out template is used.



Pacific Northwest
9805 32nd Ave. S
Lakewood, WA
98499

Northern & Central California
1905 N. MacArthur Dr. Suite #300
Tracy, CA
95376

Southern California
3351 Grapevine St. Suite #A
Mira Loma, CA
91752

For more information, visit us at www.4willis.com or e-mail us at info@4willis.com.

1-800-4KOHLER (1-800-456-4537) Kohler Co. reserves the right to make revisions without notice to product specifications.

For the most current Specification Sheet, go to www.kohler.com. CA-Willis