

# KOHLER®

## Prolific®

### Under-Mount Kitchen Sink

#### K-5540



#### Features:

- Large single bowl.
- 11-inch depth provides generous workspace.
- No faucet holes.
- Includes bamboo cutting board, two multipurpose grated racks, colander, and washbin.
- Three graduated ledges in basin allow you to place accessories at your preferred height.
- Accessories stack and slide on ledges for a custom arrangement.
- Beveled cone-shape basin slopes into drain, easily disposing debris.
- Medium size cutting board (10"x16") included with sink - covers 1/3 of sink.
- Also available: Large size cutting board 21"x16" – covers 2/3 sink. *Sold separately # K-23680-NA).*
- SilentShield® sound-absorption technology offers quieter performance.
- Includes installation hardware

#### Material:

- Premium 18-gauge stainless steel.

#### Installation:

- Undermount.
- Minimum base cabinet width: 36"

#### Recommended Products/Accessories

- K-23729 Stainless steel cleaner

#### Included Components

- A. K-5544 Colander and Washbin
- B. K-5542 Multipurpose Grated Rack (2)
- C. K-5541 Bamboo Cutting Board



#### Codes/Standards:

ASME A112.19.3/CSA B45.4

#### Lifetime Limited Warranty for KOHLER® Stainless Steel Sinks

See website for detailed warranty information.



Pacific Northwest  
9805 32nd Ave. S  
Lakewood, WA  
98499

Northern & Central California  
1905 N. MacArthur Dr. Suite #300  
Tracy, CA  
95376

Southern California  
3351 Grapevine St. Suite #A  
Mira Loma, CA  
91752

For more information, visit us at [www.4willis.com](http://www.4willis.com) or e-mail us at [info@4willis.com](mailto:info@4willis.com).

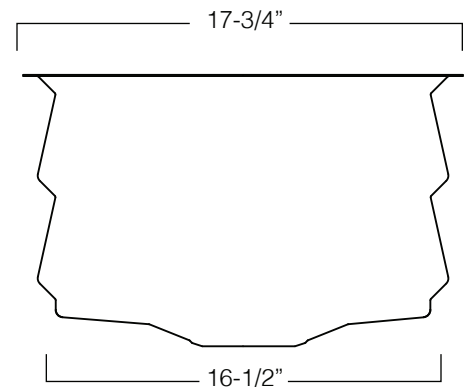
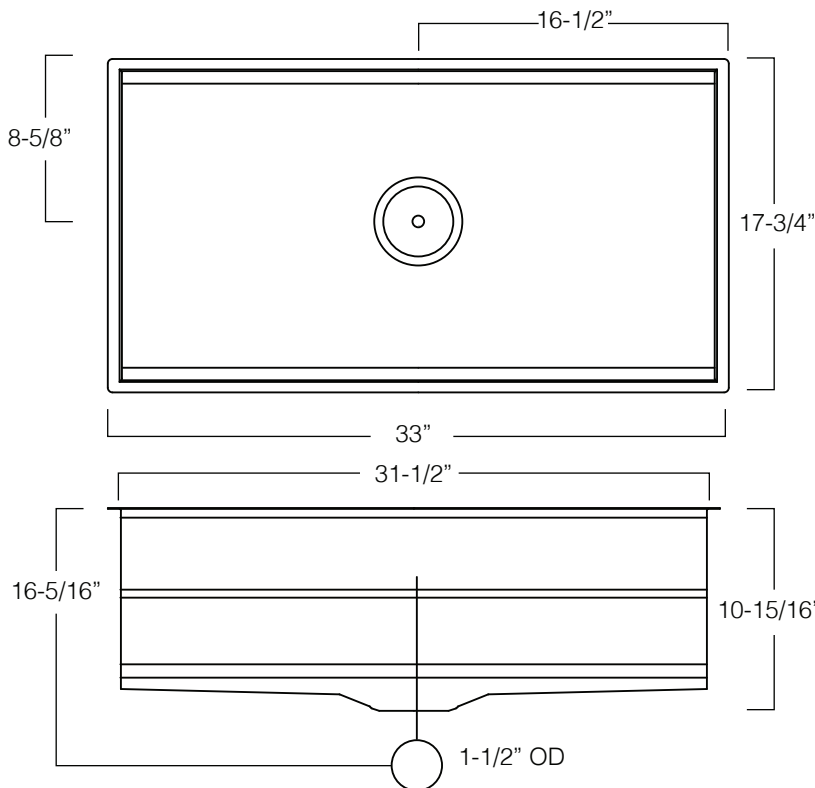
**1-800-4KOHLER (1-800-456-4537)** Kohler Co. reserves the right to make revisions without notice to product specifications.  
For the most current Specification Sheet, go to [www.kohler.com](http://www.kohler.com). CA-Willis

# KOHLER®

## Prolific®

### Under-Mount Kitchen Sink

#### K-5540



#### Technical Information:

Bowl Configuration: Single

Installation: Under-mount

Min. base cabinet width: 36"

Bowl area (Only): Length: 31-1/2"

Width: 16-1/2"

Bowl depth: 10"

Water depth: 10"

Drain Hole: 3-3/4"

Template: 1093327-7, required, included

#### Notes:

Install this product according to the installation instructions.

Countertop manufacturer or cutter must use the cut-out template provided with the product, or a current one provided by Kohler Co. (call 1-800-43-FOCUS). Kohler Co. is not responsible for cut-out errors when the incorrect cut-out template is used.



Pacific Northwest  
9805 32nd Ave. S  
Lakewood, WA  
98499

Northern & Central California  
1905 N. MacArthur Dr. Suite #300  
Tracy, CA  
95376

Southern California  
3351 Grapevine St. Suite #A  
Mira Loma, CA  
91752

For more information, visit us at [www.4willis.com](http://www.4willis.com) or e-mail us at [info@4willis.com](mailto:info@4willis.com).

**1-800-4KOHLER (1-800-456-4537)** Kohler Co. reserves the right to make revisions without notice to product specifications.

For the most current Specification Sheet, go to [www.kohler.com](http://www.kohler.com). CA-Willis